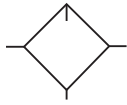


Lubricator L50 EconOmist™

= "Most Popular"

B

Filters, Regulators, Lubricators



L50-0C-000

Features

- Full View Sight Dome
- Siphon Tube Filter Provides Clean Lubricant Downstream
- Quick-Disconnect Clamp Ring for Easy Bowl Removal
- Adjustable Oil Feed
- Standard Transparent Bowl with Metal Bowl Guard
- Can be Filled while Under Pressure

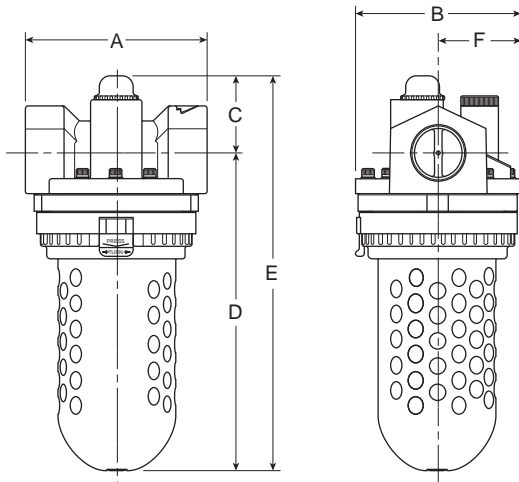
Specifications

Flow Capacity*	2	1186 SCFM (560 dm ³ /s)
Maximum Supply Pressure	Plastic Bowl	150 PSIG (10.3 bar)
	Metal Bowl	200 PSIG (13.8 bar)
Operating Temperature	Plastic Bowl	32° to 125°F (0° to 52°C)
	Metal Bowl	32° to 150°F (0° to 65,5°C)
Port Size	NPT / BSPP-G 2	
Bowl Capacity	26.0 oz	
Weight	10.2 lb. (4.6 kg)	

* Inlet pressure 120 PSIG (8.3 bar). Pressure drop 5 PSID (0.3 bar).

Materials of Construction

Body	Zinc	
Bowls	Plastic Bowl	Polycarbonate
	Metal Bowl	Aluminum
Seals	Plastic Bowl	Nitrile
	Metal Bowl	Fluorocarbon
Sight Dome	Nylon	
Sight Gauge	Metal Bowl	Tempered Safety Glass
Suggested Lubricant	Airline Oil F442001	



Dimensions

Models	Inches (mm)	A	B	C	D	E	F
Standard Unit L50-0C-000		5.50 (140)	5.00 (127)	2.64 (67)	9.68 (246)	12.32 (313)	2.50 (64)

= "Most Popular"

Replacement Bowl Kits

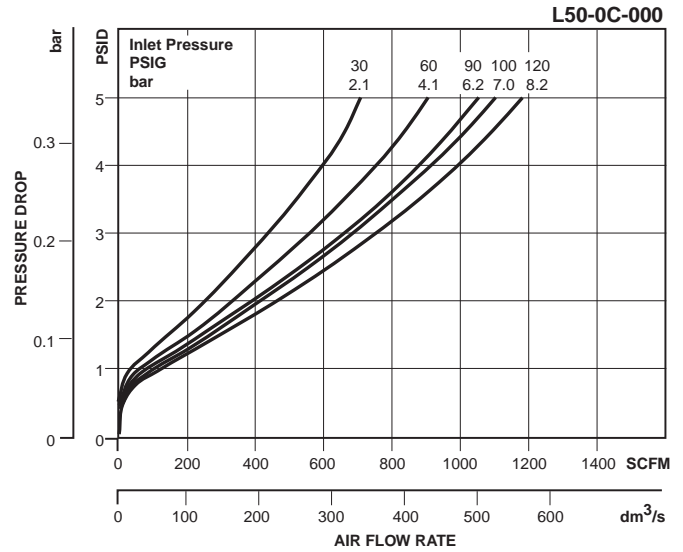
- Metal Bowl / Sight Gauge, Brass Petcock Drain GRP-95-676
- Plastic Bowl –
 - Plastic Petcock Drain LRP-96-160
 - Guard, Plastic Petcock Drain LRP-95-830
 - No Drain Port..... LRP-96-940

Replacement Kits

- Fill Plug Kit – Fill Plug and O-ring LRP-95-250
- Flow Guide..... LRP-95-252
- Sight Dome Kit – Sight Dome and O-ring LRP-95-249
- Tube, Siphon – Tube and Bronze Filter LRP-96-182

Accessories

- Air Line Oil (1 Qt.) F442001
- Air Line Oil (1 Gal.) F442002
- Manual Drain –
 - Brass Petcock.....GRP-95-182
 - Plastic Petcock.....LRP-95-181
- Tamper Resistant Kit..... LRP-95-587



B

Filters, Regulators, Lubricators

Ordering Information

Model Type	Port Size	Polycarbonate Bowl / Bowl Guard	Metal Bowl / Sight Gauge
EconOmist™	2	L50-0C-000	L50-0C-G00

Options - To order an option supplied with the unit model, add the appropriate coded suffix letter in the designated position of the model number.