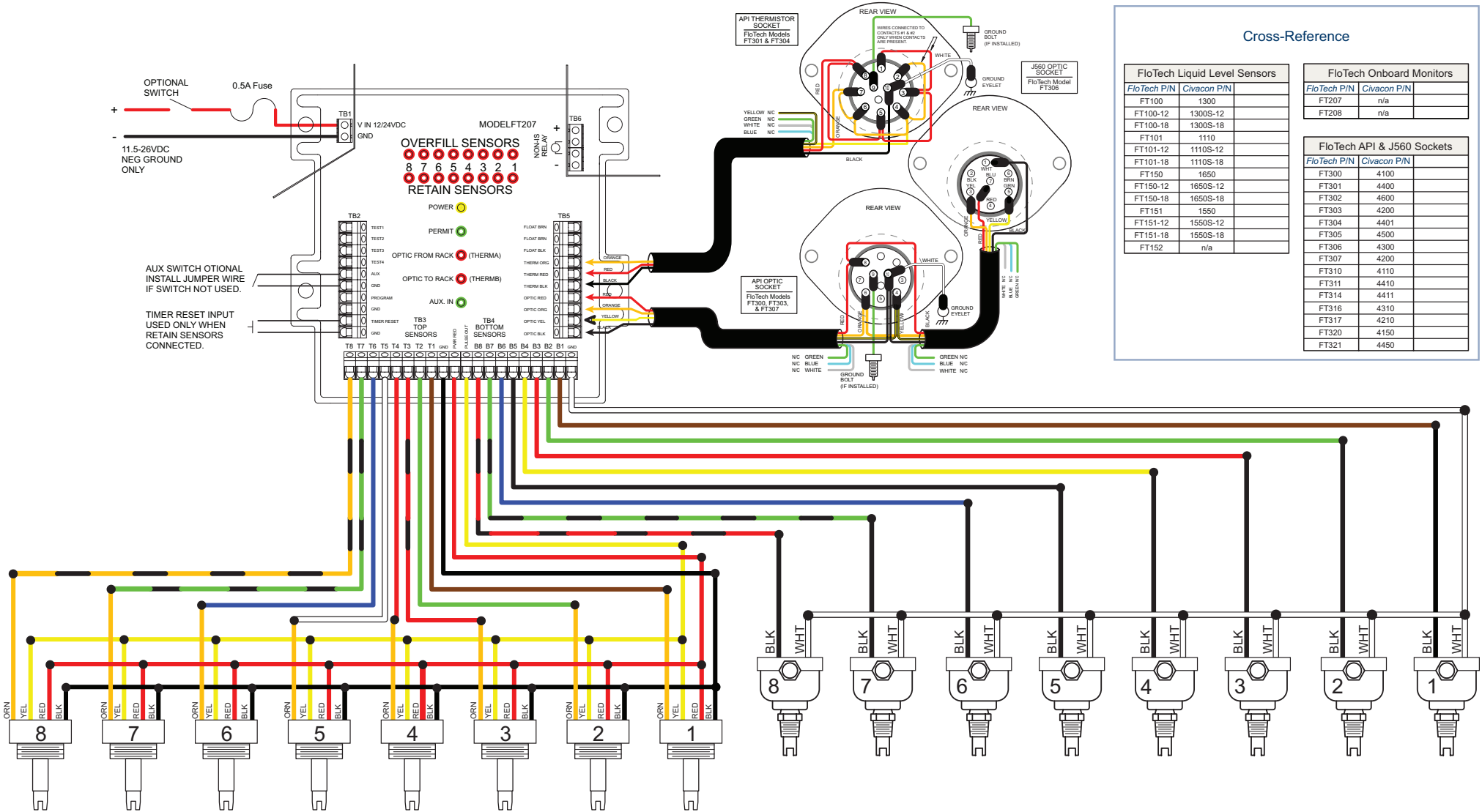




The Right Connection®

# FT208 Checkmate System with Retain and 5 Wire Overfill Sensors



### Cross-Reference

FloTech Liquid Level Sensors		FloTech Onboard Monitors	
FloTech P/N	Civacon P/N	FloTech P/N	Civacon P/N
FT100	1300	FT207	n/a
FT100-12	1300S-12	FT208	n/a
FT100-18	1300S-18		
FT101	1110		
FT101-12	1110S-12		
FT101-18	1110S-18		
FT150	1650		
FT150-12	1650S-12		
FT150-18	1650S-18		
FT151	1550		
FT151-12	1550S-12		
FT151-18	1550S-18		
FT152	n/a		

FloTech API & J560 Sockets	
FloTech P/N	Civacon P/N
FT300	4100
FT301	4400
FT302	4600
FT303	4200
FT304	4401
FT305	4500
FT306	4300
FT307	4200
FT310	4110
FT311	4410
FT314	4411
FT316	4310
FT317	4210
FT320	4150
FT321	4450

FT101/100 5 WIRE OPTIC SENSORS

FT152 2 WIRE OPTIC RETAIN SENSORS (BLK/WHT)



## Dixon Bayco

800 High Street • Chestertown, MD 21620

ph 800.355.1991 • fx 800.283.4966

dixonvalve.com