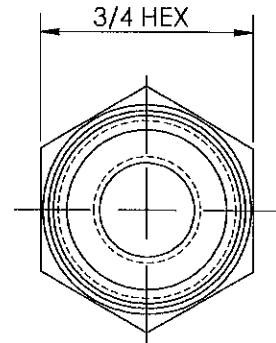
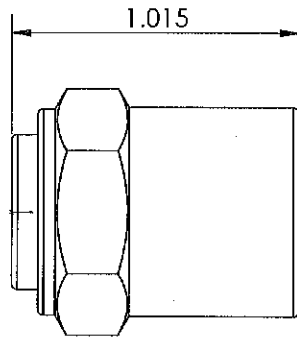
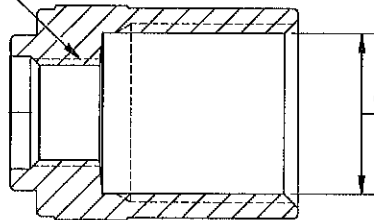


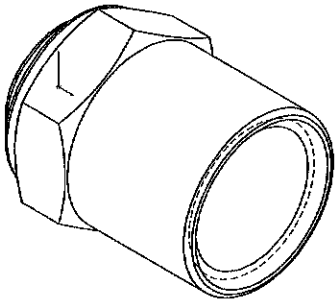
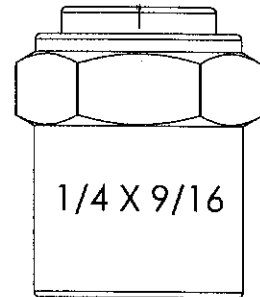
LINE DRAWING NOT FOR PRODUCTION PURPOSES




3/8 - 24 UNF-2B  
HOSE I.D. 1/4

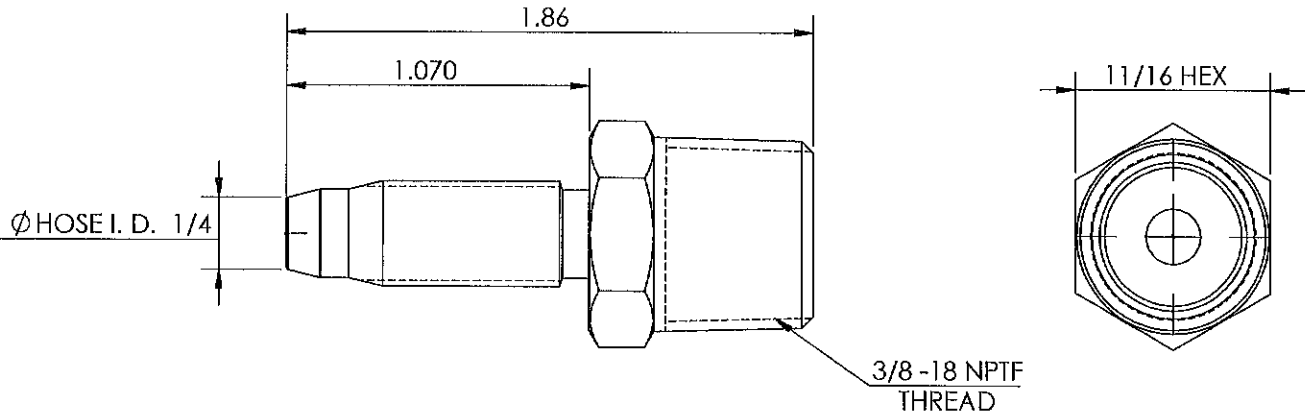


Ø HOSE O.D. 9/16

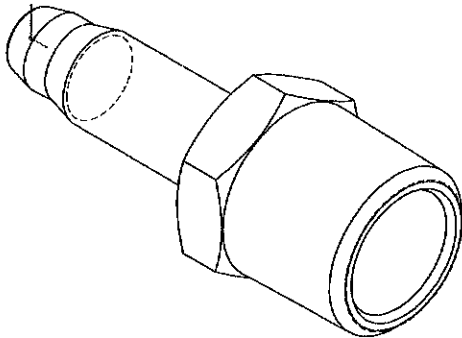
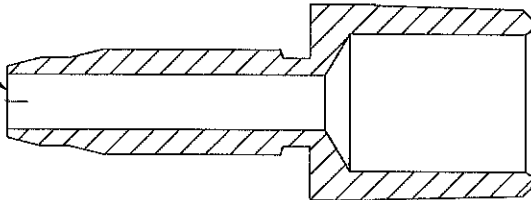


THIS DRAWING CONTAINS INFORMATION DEEMED PROPRIETARY TO DIXON BRASS AND IS TO BE USED ONLY FOR THE PURPOSE FOR WHICH IT IS SUBMITTED, AND FURTHER, SHALL NOT BE COPIED IN WHOLE OR IN PART WITHOUT EXPRESS WRITTEN PERMISSION FIRST OBTAINED FROM DIXON BRASS.				
UNLESS OTHERWISE SPECIFIED:		 <b>Dixon Brass</b> Westmont, Illinois USA	DRAWN P. MONAGHAN	DATE 4/16/14
DIMENSIONS ARE IN INCHES			APPROVED	DATE
TOLERANCES: ANGLES: ±0°30' .X (±.015) .XX (±.010) .XXX (±.005)		ECO NO.		
DIMENSIONS PER ANSI Y14.5		DRAWING NOT REPRODUCED TO SCALE		
TITLE: REUSABLE FERRULE		SIZE <b>A</b>	DWG. NO. 1800409F	REV B

LINE DRAWING NOT FOR PRODUCTION PURPOSES



THRU HOLE DIA. .194



THIS DRAWING CONTAINS INFORMATION DEEMED PROPRIETARY TO DIXON BRASS AND IS SO TO BE USED ONLY FOR THE PURPOSE FOR WHICH IT IS SUBMITTED, AND FURTHER, SHALL NOT BE COPIED IN WHOLE OR IN PART WITHOUT EXPRESS WRITTEN PERMISSION FIRST OBTAINED FROM DIXON BRASS.			
UNLESS OTHERWISE SPECIFIED:		DRAWN	
DIMENSIONS ARE IN INCHES		DATE	
TOLERANCES:		P. MONAGHAN 4/27/15	
ANGLES: $\pm 0^{\circ}30'$		APPROVED	
.X ( $\pm 0.15$ )		DATE	
.XX ( $\pm 0.10$ )		ECO NO.	
.XXX ( $\pm 0.05$ )		DRAWING NOT REPRODUCED TO SCALE	
DIMENSIONS PER ANSI Y14.5		TITLE: REUSABLE MALE STEM	
		SIZE	REV
		A	B
		DWG. NO.	
		1820406S	



**Dixon Brass**  
Westmont, Illinois USA