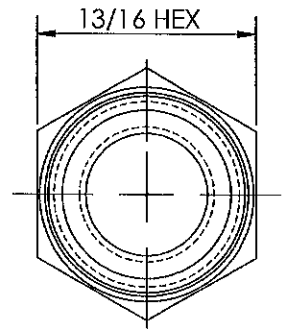
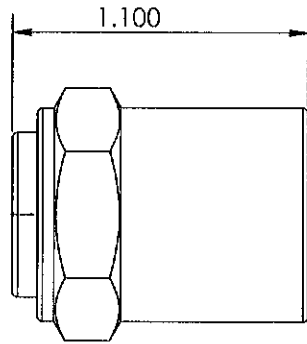
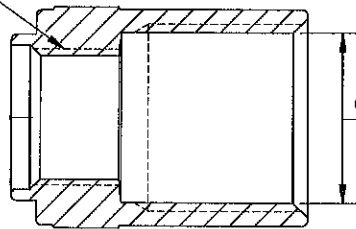


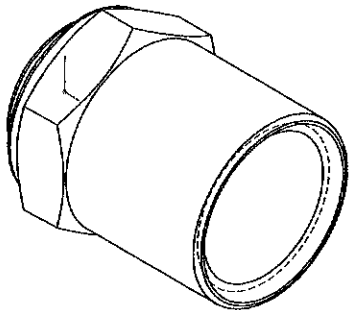
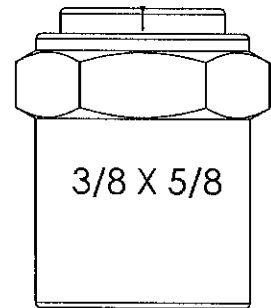
LINE DRAWING NOT FOR PRODUCTION PURPOSES



1/2 -20 UNF-2B
HOSE I.D. 3/8

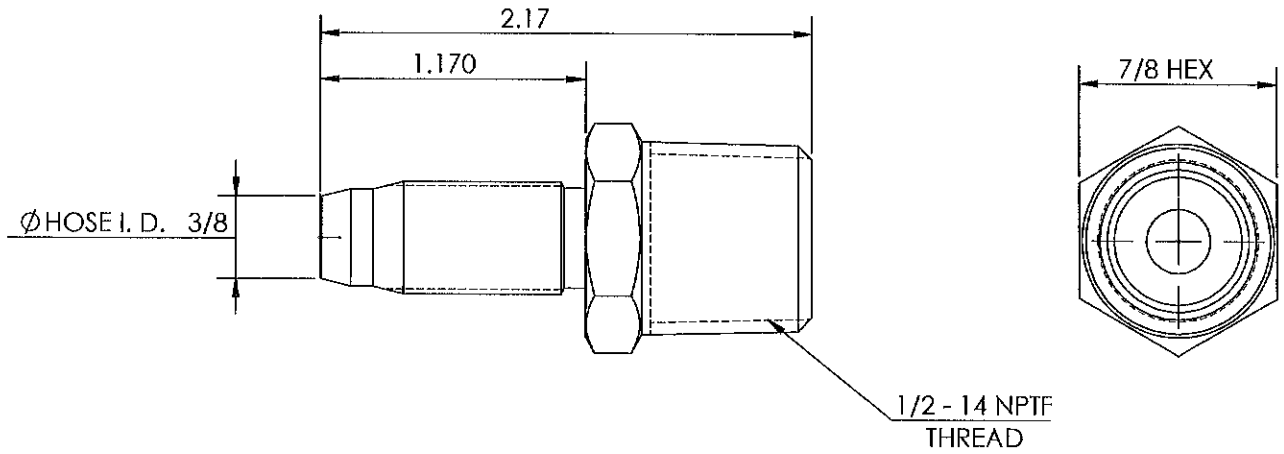


Ø HOSE O. D. 5/8

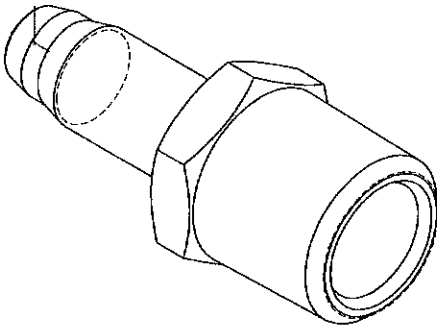
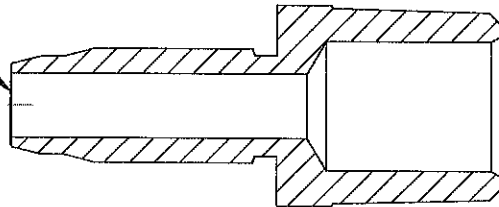



THIS DRAWING CONTAINS INFORMATION DEEMED PROPRIETARY TO DIXON BRASS AND IS SO TO BE USED ONLY FOR THE PURPOSE FOR WHICH IT IS SUBMITTED, AND FURTHER, SHALL NOT BE COPIED IN WHOLE OR IN PART WITHOUT EXPRESS WRITTEN PERMISSION FIRST OBTAINED FROM DIXON BRASS, UNLESS OTHERWISE SPECIFIED:			
DIMENSIONS ARE IN INCHES TOLERANCES: ANGLES: ±0°30' .X (±.015) .XX (±.010) .XXX (±.005) DIMENSIONS PER ANSI Y14.5		Dixon Brass Westmont, Illinois USA	
		DRAWN P. MONAGHAN APPROVED	DATE 4/17/15 DATE
TITLE: REUSABLE FERRULE		DRAWING NOT REPRODUCED TO SCALE DWG. NO. 1800610F	REV B
SIZE A			

LINE DRAWING NOT FOR PRODUCTION PURPOSES



THRU HOLE DIA. .281



THIS DRAWING CONTAINS INFORMATION DEEMED PROPRIETARY TO DIXON BRASS AND IS TO BE USED ONLY FOR THE PURPOSE FOR WHICH IT IS SUBMITTED, AND FURTHER, SHALL NOT BE COPIED IN WHOLE OR IN PART WITHOUT EXPRESS WRITTEN PERMISSION FIRST OBTAINED FROM DIXON BRASS.				
UNLESS OTHERWISE SPECIFIED:				
DIMENSIONS ARE IN INCHES		 The High Connection SM	DRAWN P. MONAGHAN APPROVED	DATE 4/28/15 DATE
TOLERANCES: ANGLES: ±0°30' .X (±.015) .XX (±.010) .XXX (±.005)			DIXON Westmont, Illinois USA	ECO NO.
DIMENSIONS PER ANSI Y14.5		TITLE: REUSABLE MALE STEM	DRAWING NOT REPRODUCED TO SCALE	
SIZE A	DWG. NO. 1820608S		REV B	