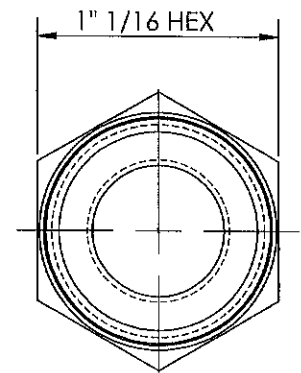
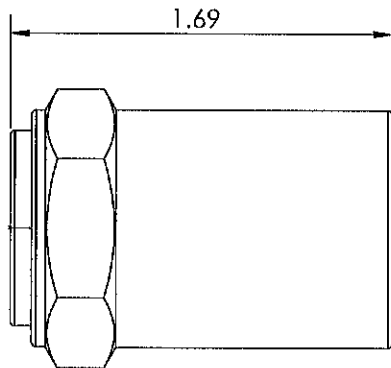
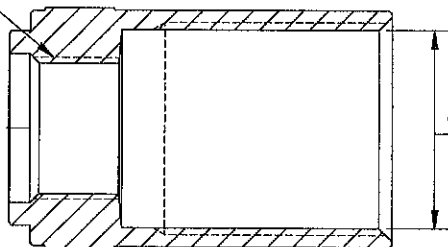


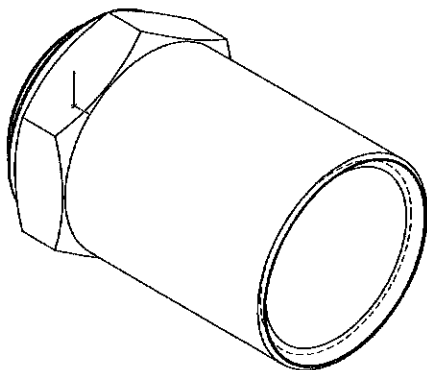
LINE DRAWING NOT FOR PRODUCTION PURPOSES




5/8 -18 UNF-2B
HOSE I.D. 1/2

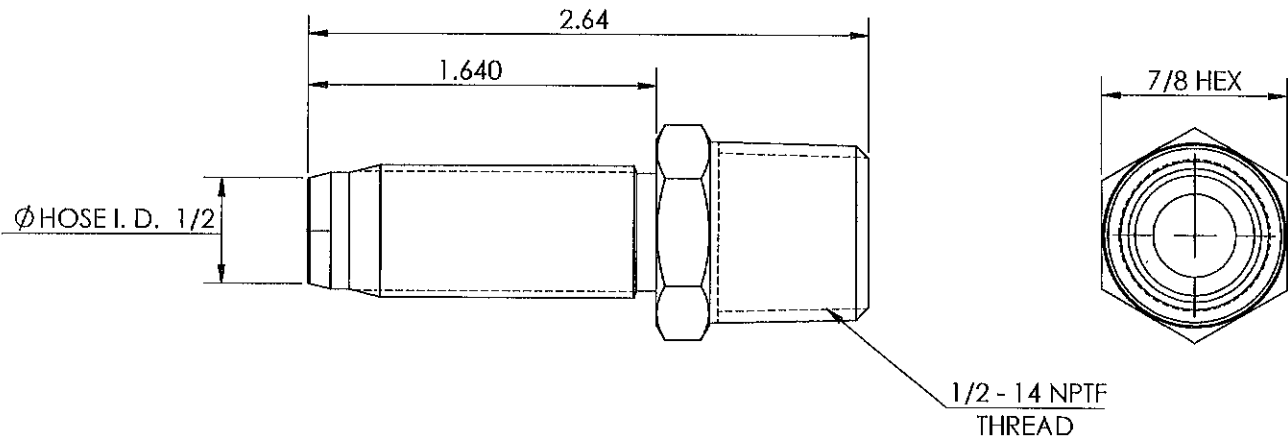


Ø HOSE O.D. 7/8

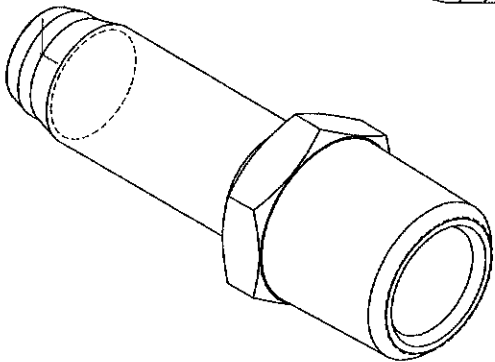
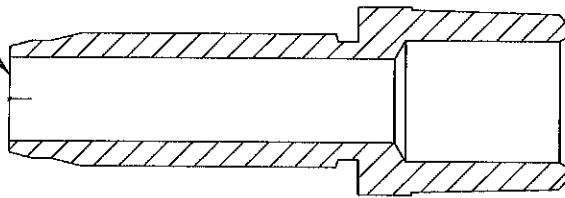



| | | | | |
|---|----------------------|---|---------------------------------------|-------------------------|
| THIS DRAWING CONTAINS INFORMATION DEEMED PROPRIETARY TO DIXON BRASS AND IS SO TO BE USED ONLY FOR THE PURPOSE FOR WHICH IT IS SUBMITTED, AND FURTHER, SHALL NOT BE COPIED IN WHOLE OR IN PART WITHOUT EXPRESS WRITTEN PERMISSION FIRST OBTAINED FROM DIXON BRASS. | | | | |
| UNLESS OTHERWISE SPECIFIED: | | | | |
| DIMENSIONS ARE IN INCHES | |  The Right Connection™ | DRAWN P. MONAGHAN APPROVED | DATE 4/20/15 DATE |
| TOLERANCES: ANGLES: ±0°30' .X (±.015) .XX (±.010) .XXX (±.005) | | | Dixon Brass Westmont, Illinois USA | ECO NO. |
| DIMENSIONS PER ANSI Y14.5 | | TITLE: REUSABLE FERRULE | DRAWING NOT REPRODUCED TO SCALE | |
| SIZE A | DWG. NO. 1800814F | REV C | | |

LINE DRAWING NOT FOR PRODUCTION PURPOSES



THRU HOLE DIA. .390



| | | | | |
|---|--|--|----------------------------------|-------------------------|
| THIS DRAWING CONTAINS INFORMATION DEEMED PROPRIETARY TO DIXON BRASS AND IS SO TO BE USED ONLY FOR THE PURPOSE FOR WHICH IT IS SUBMITTED, AND FURTHER, SHALL NOT BE COPIED IN WHOLE OR IN PART WITHOUT EXPRESS WRITTEN PERMISSION FIRST OBTAINED FROM DIXON BRASS. | | | | |
| UNLESS OTHERWISE SPECIFIED: | | | | |
| DIMENSIONS ARE IN INCHES | |  Dixon Brass Westmont, Illinois USA | DRAWN P. MONAGHAN APPROVED | DATE 4/28/15 DATE |
| TOLERANCES: ANGLES: ±0°30' .X (±.015) .XX (±.010) .XXX (±.005) | | | ECO NO. | |
| DIMENSIONS PER ANSI Y14.5 | | DRAWING NOT REPRODUCED TO SCALE | | |
| TITLE: REUSABLE MALE STEM | | SIZE A | DWG. NO. 1820808S | REV B |