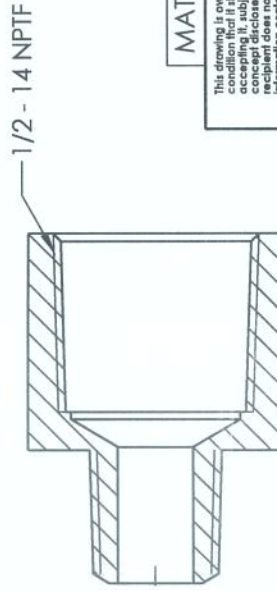
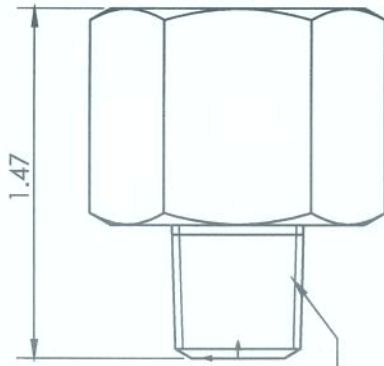
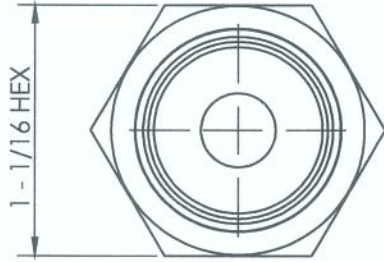


LINE DRAWING NOT FOR PRODUCTION PURPOSES



MATERIAL 1 - 1/16 HEX ALLOY 360 BRASS

This drawing is owned by Dixon Valves Coupling Co. and shall be returned upon demand. If it is loaned on condition that it shall not be copied or reproduced or submitted to others without the owners consent. In accepting it, subject to this condition, the recipient further agrees that this drawing or any design detail or concept disclosed herein shall not be used in any way, in any form, or in any competition with the owner. If the recipient does not agree to these conditions, the recipient shall immediately return this drawing to the owner. Information contained in this drawing is subject to change without notice.

 Dixon Brass Westmont, Illinois USA <small>The Dixon Connection</small>	DRAWN HENRY B. APPROVED	DATE 8/21/17
	ECO NO.	DATE
DO NOT SCALE THIS DRAWING		
TITLE: 1/4 X 1/2 NPTF ADAPTER	SIZE DWG. NO. A 3750804C	REV A