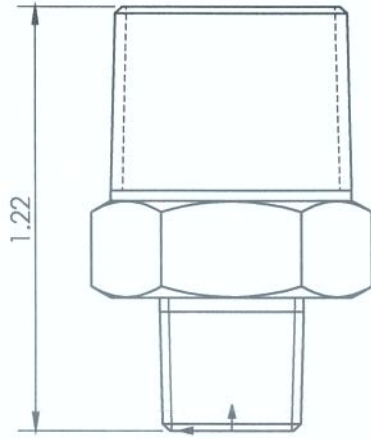
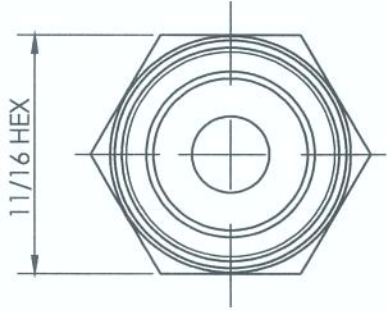
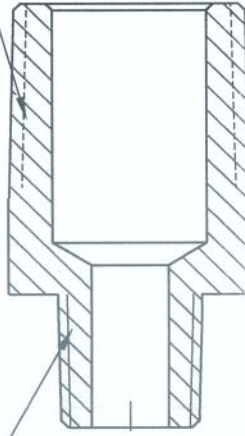


LINE DRAWING NOT FOR PRODUCTION PURPOSES



3/8 - 18 NPTF



1/8 - 27 NPTF

MATERIAL 11/16 HEX ALLOY 353 BRASS

This drawing is owned by Dixon Valves, Coupling Co. and shall be returned upon demand. It is loaned on the condition that the recipient shall not use, copy, reproduce, or disseminate this drawing or any design detail or concept disclosed herein shall not be used in any way detrimental to or in competition with the owner. If the recipient does not agree to the terms of this agreement they must return this drawing immediately. The information contained in this drawing is subject to change without notice.



**Dixon Brass**  
Westmont, Illinois USA

DATE: 8/22/17  
APPROVED: HENRY B.

ECO NO.

DO NOT SCALE THIS DRAWING  
TITLE: 1/8 X 3/8 MALE HEX REDUCER NIPPLE  
SIZE DWG. NO. A 3790602C  
REV A