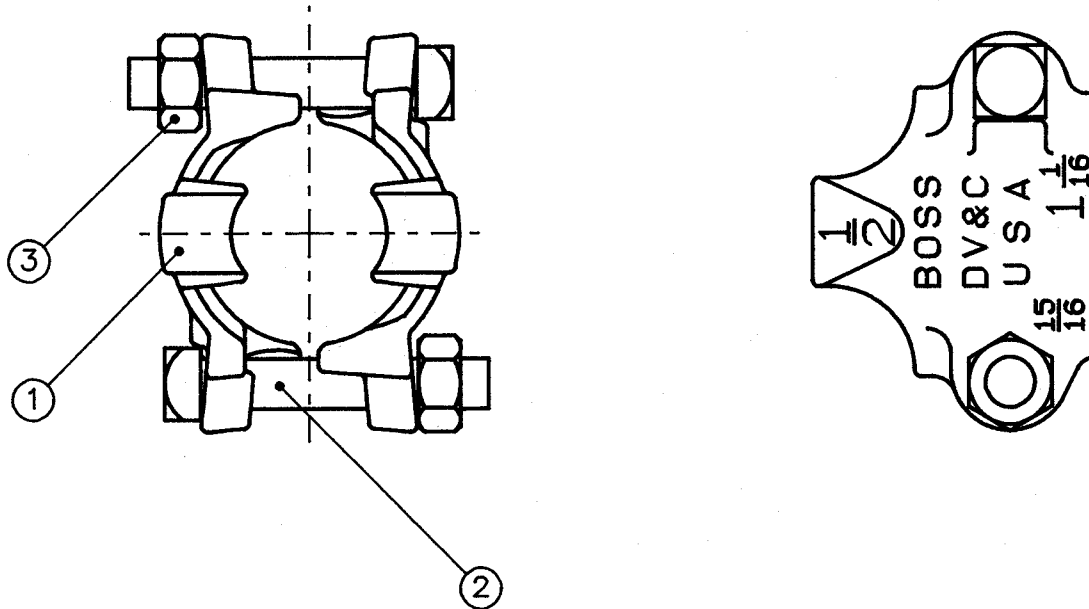


RB-4



CUSTOMER DWG.

NOTES:

- 1) MAX. RECOMMENDED TORQUE IS 12 FT-LBS.
- 2) CLAMP FITS HOSE O.D. FROM 15/16" TO 1.1/16".

ITEM	PART #	DESCRIPTION	MATERIAL	QTY
3	RMN-5	5/16-18 UNC HEX NUT	316 STAINLESS STEEL	2
2	RMB-5150	5/16-18 UNC x 1.1/2" LENGTH SQ. HEAD BOLT WITH 1" THREAD LENGTH	316 STAINLESS STEEL	2
1	RB-4	1/2" BOSS CLAMP	316 STAINLESS STEEL	2

TOLERANCES (UNLESS NOTED)		DIXON VALVE & COUPLING CO. U. S. A.	
DECIMAL±	_____		
FRACTION±	_____		
ANGLE±	_____	TITLE: RB-4 BOSS CLAMP ASSEMBLY	
DRWN.	MDS	CHKD.	APPR.
03/12/91		3-12-91	AK
3-12-91			
MAT'L	SEE B/M	RB-4	
REV.	BY	DATE	DESCRIPTION

