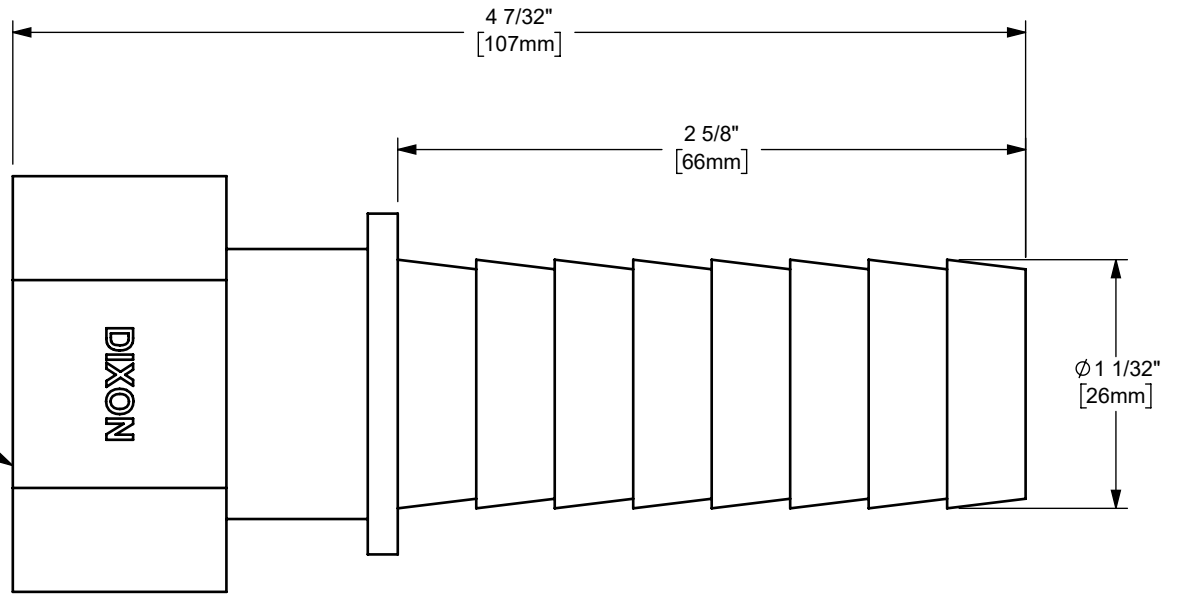


1" FEMALE NPSM THREAD



NOTE(S)

- 1) GASKET NOT SHOWN.
- 2) SEE WEBSITE FOR REPLACEMENT PARTS.



The Right Connection™

dixonvalve.com

ITEM NO.	REPLACEMENT PART NUMBER	DESCRIPTION	MATERIAL	QTY.
1	KLW10	1" GASKET	LEATHER	1
<p align="center">PROPRIETARY AND CONFIDENTIAL</p> <p>This drawing is owned by Dixon Valve & Coupling Co. and shall be returned upon demand. It is loaned on condition that it shall not be copied or reproduced or submitted to others without the owners consent. In accepting it subject to this condition the recipient further agrees that this drawing or any design detail or concept disclosed herein shall not be used in any way detrimental to or in competition with the owner. If the recipient does not agree to the terms of this agreement they shall return this drawing immediately. The information contained in this drawing is subject to change without notice.</p>		<p align="center">DIXON U.S.A.</p> <p align="center"><i>THE RIGHT CONNECTION™</i></p>		
		<p>TITLE: 1" SPRAY HOSE x 1" FEMALE NPSM COUPLING</p>		
<p align="center">DO NOT SCALE THIS DRAWING</p>		<p>MATERIAL: STEEL</p>		
		<p>PART NUMBER: SS848</p>		