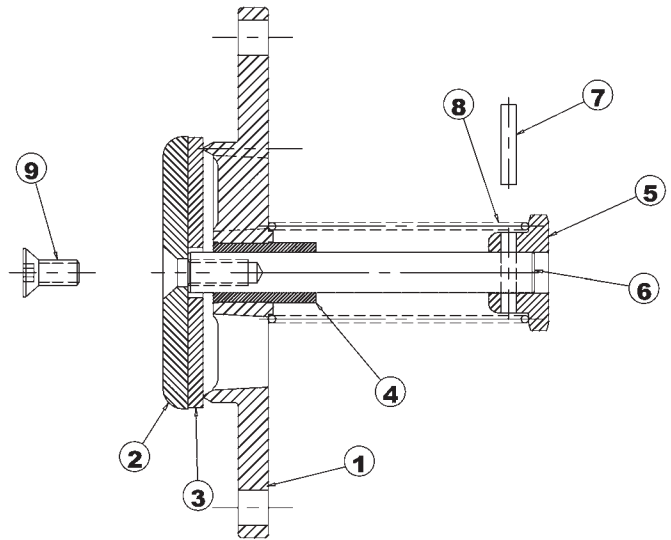


## VRP3500 and VRP3600 Series Outbreathing Vents

### Bill of Materials

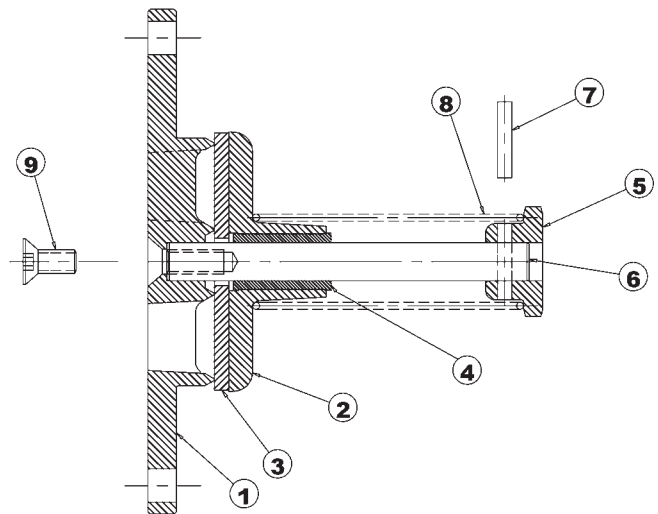
Item #	Description	Part #	Qty
1	body	---	1
2	gasket base	<b>VRP3500-2</b>	1
3	gasket	<b>VRV3501-3</b>	1
4	bushing	<b>VRP3500-4</b>	1
5	spring retainer	<b>VRV3501-5</b>	1
6A	shaft for VRP3500	<b>VRP3501-6</b>	1
6B	shaft for VRP3600	<b>390552</b>	1
7	shaft pin	<b>110717</b>	1
8	spring	<b>SPRG-L4506</b>	1
9	screw	<b>SC5-16NCx.75FSS</b>	1



## VRV3501 Series Inbreathing Vents

### Bill of Materials

Item #	Description	Part #	Qty
1	body	---	1
2	gasket base	<b>VRV3501-2</b>	1
3	gasket	<b>VRV3501-3</b>	1
4	bushing	<b>VRV3501-4</b>	1
5	spring retainer	<b>VRV3501-5</b>	1
6	shaft	<b>VRV3501-6</b>	1
7	pin	<b>110717</b>	1
8	spring	<b>SPRG-L4506</b>	1
9	screw	<b>SC5-16NCx.75FSS</b>	1



Product instruction sheets and technical data can be viewed on our website at [dixongroupcanada.com](http://dixongroupcanada.com) by selecting the 'Resources' menu.