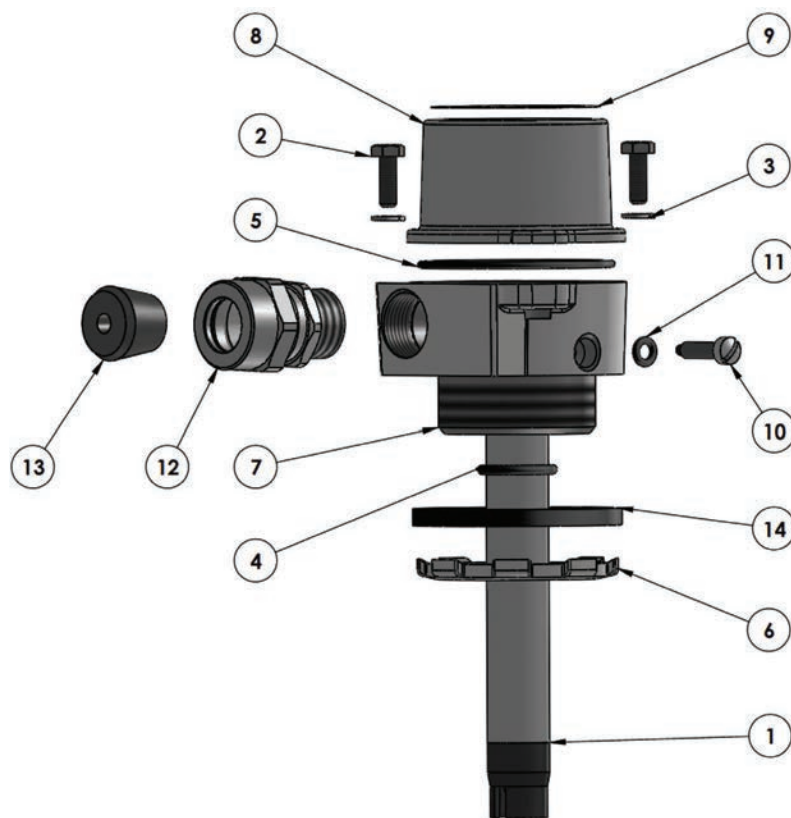


Plug-n-Play Sensors FT151P Series, Overfill Sensor Housings



Bill of Materials

Item #	Description	Part #	Qty
1	Plug-n-Play probe	See repair kits	1
2	stainless steel screw	10110	2
3	stainless steel lock washer - 1/4"	10111	2
4	FKM O-ring	10125 (was FT9027)	1
5	Buna O-ring	10126 (was FT9049)	1
6	steel locknut	10128 (was FT9012)	1
7	aluminum sensor housing	10183-P&P	1
8	aluminum sensor housing cap	10185	1
9	mylar label	10204	1
10	stainless steel screw with nylon insert	10212	1
11	Buna-N O-ring	10213	1
12	cord grip assembly	10248	1
13	rubber bushing	10638	1
14	Buna-N gasket	250-G-BU (was FT9026)	1

Repair Kits

Part #	Description	Includes Item #
FT150P	Replacement Plug-n-Play overfill detection probe. - 7"	1
FT150P-12	Replacement Plug-n-Play overfill detection probe. - 12"	1
FT150P-18	Replacement Plug-n-Play overfill detection probe. - 18"	1
FT9000P	Complete replacement Plug-n-Play sensor housing (without probe)	2-14
FT9001	Sensor housing gasket & O-ring kit	5, 6, 7, 13
FT9011	Sensor housing cap with screws & lock washers	2, 3, 8

Overfill Detection Replacement Parts

Product instruction sheets and technical data can be viewed on our website at dixongroupcanada.com by selecting the 'Resources' menu.